



**GRIP Head office (Jinsung Eurotec co., ltd.)**

#817 Daerung technotown 12nd Gasandigital 2 ro 14 Geumcheon-gu Seoul Republic of korea.

**GRIP Factory**

#b101-201 397 Seckcheon-ro Buchun-si Gyeonggi-do Republic of Korea

Tel.+82 32 624 0907~8

Fax.+82 32 624 0909

[gripperfect@gmail.com](mailto:gripperfect@gmail.com)

[www.gripkorea.com](http://www.gripkorea.com)

A graphic consisting of two parallel horizontal red lines of equal length, positioned to the left of the text.

# **HYDRO-SLIM**

Slim and high-precision. Optimized interfering contours.

***New!!***

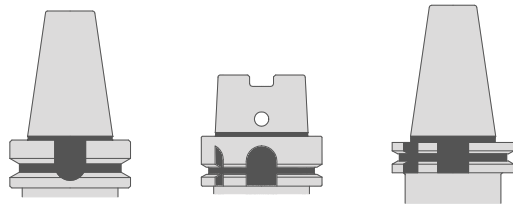
***More Various product line-up***



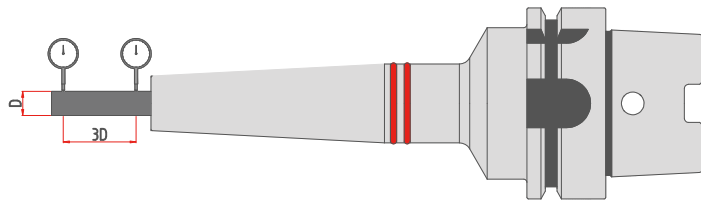
# HYDRO-SLIM

**Optimized interfering contours, which results in excellent work piece accessibility.**

ID6~20 size  
Various types of tapers.

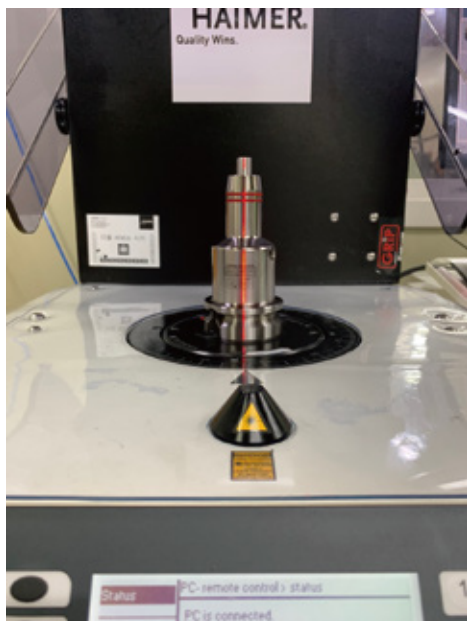


**Standard Run-Out 3xd 3Micron.**



**All item Fine balancing.**

All item G2.5 grade balancing quality



SLIM

**≡ No expensive clamping device required.**

	Tool setting time	Clamping device	User risk level
<b>HYDRO-SLIM</b>	10 sec	No need	No problem
Shrink fit holder	3 min	Expansive device	Danger of burns

SLIM

**≡ Reduce inventory amount of tool holder by using Sleeve.**



GSL8 and GSL12 types can use various shanks by using hydro-sleeve.



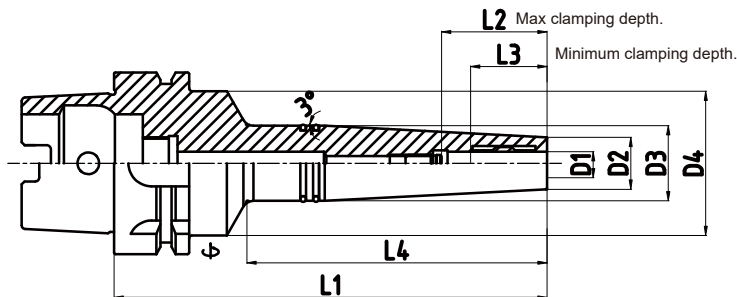
**≡ Easy clamping with just one wrench**

**Dimensions(mm)**

HSK-A50		D1	D2	D3	D4	L1	L2	L3	L4	Clamping wrench	Adjustment bolt (wrench)	Kg.
HSK-A50/GSL6/110	▲	6	16	24	41.5	110	37.5	27.5	66	TR-4.0	M5x0.8(T-2.5)	0.7
HSK-A50/GSL8/110	▲	8	18	26	41.5	110	37.5	27.5	66	TR-4.0	M6x1.0(T-3.0)	0.7
HSK-A50/GSL10/110	▲	10	20	28	41.5	110	42.5	32.5	67	TR-4.0	M8x1.0(T-4.0)	0.8
HSK-A50/GSL12/110	▲	12	22	30	41.5	110	47.5	37.5	67	TR-4.0	M10x1.0(T-5.0)	0.9

HSK-A63		D1	D2	D3	D4	L1	L2	L3	L4	Clamping wrench	Adjustment bolt (wrench)	Kg.
HSK-A63/GSL6/150	●	6	16	24	50	150	37.5	27.5	103	TR-4.0	M5x0.8(T-2.5)	1.3
HSK-A63/GSL8/150	●	8	18	26	50	150	37.5	27.5	104	TR-4.0	M6x1.0(T-3.0)	1.3
HSK-A63/GSL10/150	●	10	20	28	50	150	42.5	32.5	104	TR-4.0	M8x1.0(T-4.0)	1.4
HSK-A63/GSL12/150	●	12	22	30	50	150	47.5	37.5	105	TR-4.0	M10x1.0(T-5.0)	1.5
HSK-A63/GSL14/150	●	14	24	32	50	150	47.5	37.5	105	TR-4.0	M10x1.0(T-5.0)	1.5
HSK-A63/GSL16/150	●	16	26	34	50	150	52.5	42.5	106	TR-4.0	M12x1.0(T-6.0)	1.6
HSK-A63/GSL18/150	●	18	28	36	50	150	52.5	42.5	107	TR-4.0	M12x1.0(T-6.0)	1.6
HSK-A63/GSL20/150	●	20	30	38	50	150	52.5	42.5	108	TR-4.0	M16x1.0(T-6.0)	1.7

Availability: ● Stock ▲ Short lead time ○ Made to order



HSK-A50/A63

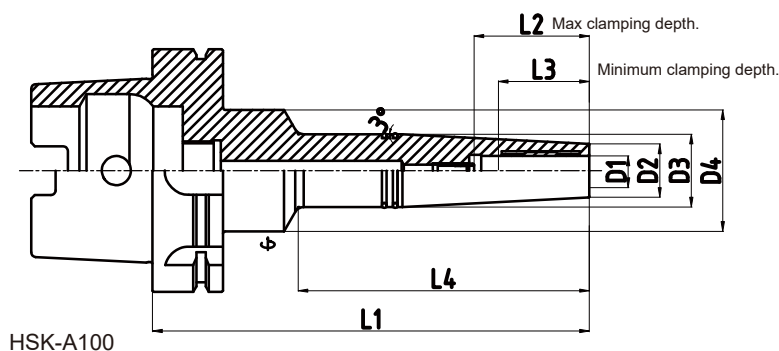
**Dimensions(mm)**

HSK-A100		D1	D2	D3	D4	L1	L2	L3	L4	Clamping wrench	Adjustment bolt (wrench)	Kg.
HSK-A100/GSL6/180	●	6	16	24	50	180	37.5	27.5	120	TR-4.0	M5x0.8(T-2.5)	3.0
HSK-A100/GSL8/180	●	8	18	26	50	180	37.5	27.5	120	TR-4.0	M6x1.0(T-3.0)	3.1
HSK-A100/GSL10/180	○	10	20	28	50	180	42.5	32.5	120	TR-4.0	M8x1.0(T-4.0)	3.1
HSK-A100/GSL12/180	●	12	22	30	50	180	47.5	37.5	120	TR-4.0	M10x1.0(T-5.0)	3.2
HSK-A100/GSL14/180	○	14	24	32	50	180	47.5	37.5	121	TR-4.0	M10x1.0(T-5.0)	3.2
HSK-A100/GSL16/180	○	16	26	34	50	180	52.5	42.5	121	TR-4.0	M12x1.0(T-6.0)	3.3
HSK-A100/GSL18/180	○	18	28	36	50	180	52.5	42.5	122	TR-4.0	M12x1.0(T-6.0)	3.4
HSK-A100/GSL20/180	●	20	30	38	50	180	52.5	42.5	122	TR-4.0	M16x1.0(T-6.0)	3.4

**Availability:** ● Stock ▲ Short lead time ○ Made to order

- »h6 shank tools must be used.
- »Tool length can be adjusted up to 10mm.
- »T-wrench is must be ordered separately. (GRIP torque wrench is recommended.)
- »Data carrier and Coolant tube as an option.
- »All products center through coolant system.
- »Additional sizes and special designs available on request.

⚠ The minimum tool depth must be observed.



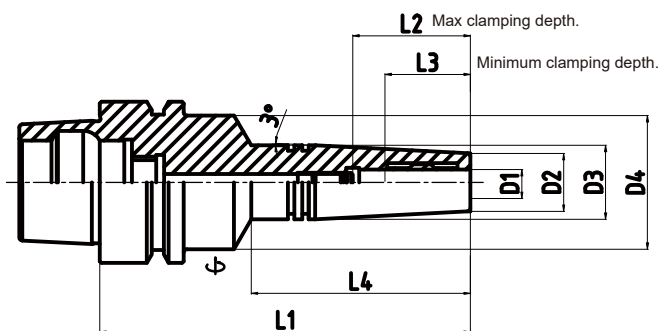
**Dimensions(mm)**

HSK-E50		D1	D2	D3	D4	L1	L2	L3	L4	Clamping wrench	Adjustment bolt (wrench)	Kg.
HSK-E50/GSL6/110	○	6	16	24	41.5	110	37.5	27.5	66	TR-4.0	M5x0.8(T-2.5)	0.7
HSK-E50/GSL8/110	○	8	18	26	41.5	110	37.5	27.5	66	TR-4.0	M6x1.0(T-3.0)	0.8
HSK-E50/GSL10/110	○	10	20	28	41.5	110	42.5	32.5	67	TR-4.0	M8x1.0(T-4.0)	0.8
HSK-E50/GSL12/110	○	12	22	30	41.5	110	47.5	37.5	67	TR-4.0	M10x1.0(T-5.0)	0.9

**Availability:** ● Stock ▲ Short lead time ○ Made to order

- »h6 shank tools must be used.
- »Tool length can be adjusted up to 10mm.
- »T-wrench is must be ordered separately.  
(GRIP torque wrench is recommended.)
- »Data carrier and Coolant tube as an option.
- »All products center through coolant system.
- »Additional sizes and special designs available on request.

⚠ The minimum tool depth must be observed.



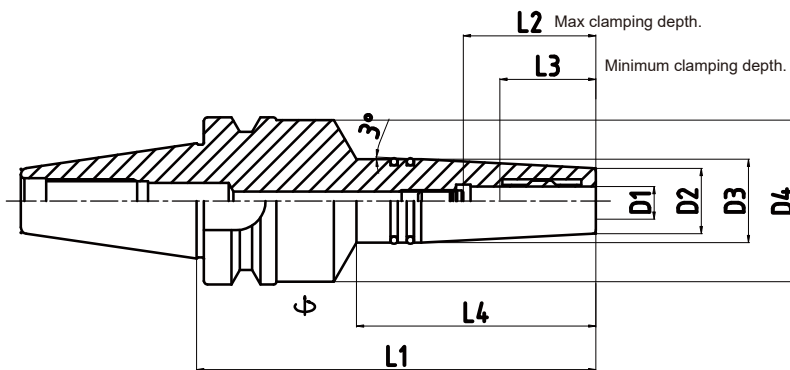
HSK-E50

**Dimensions(mm)**

BT30		D1	D2	D3	D4	L1	L2	L3	L4	Clamping wrench	Adjustment bolt (wrench)	Kg.
BT30/GSL6/110	●	6	16	24	44.5	110	37.5	27.5	66	TR-4.0	M5x0.8(T-2.5)	0.9
BT30/GSL8/110	●	8	18	26	44.5	110	37.5	27.5	66	TR-4.0	M6x1.0(T-3.0)	0.9
BT30/GSL10/110	●	10	20	28	44.5	110	42.5	32.5	67	TR-4.0	M8x1.0(T-4.0)	1.1
BT30/GSL12/110	●	12	22	30	44.5	110	47.5	37.5	67	TR-4.0	M10x1.0(T-5.0)	1.2

**Availability:** ● Stock ▲ Short lead time ○ Made to order

- »h6 shank tools must be used.
  - »Tool length can be adjusted up to 10mm.
  - »T-wrench is must be ordered separately. (GRIP torque wrench is recommended.)
  - »All products center through coolant system.
  - »Additional sizes and special designs available on request.
- ⚠ The minimum tool depth must be observed.



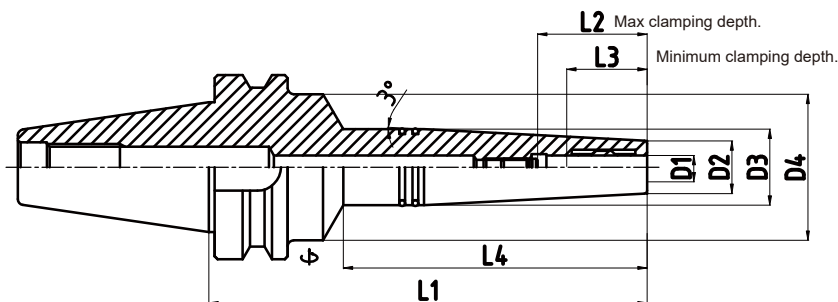


**Dimensions(mm)**

BT40		D1	D2	D3	D4	L1	L2	L3	L4	Clamping wrench	Adjustment bolt (wrench)	Kg.
BT40/GSL6/150	●	6	16	24	50	150	37.5	27.5	103	TR-4.0	M5x0.8(T-2.5)	1.6
BT40/GSL8/150	●	8	18	26	50	150	37.5	27.5	104	TR-4.0	M6x1.0(T-3.0)	1.7
BT40/GSL10/150	●	10	20	28	50	150	42.5	32.5	104	TR-4.0	M8x1.0(T-4.0)	1.7
BT40/GSL12/150	●	12	22	30	50	150	47.5	37.5	105	TR-4.0	M10x1.0(T-5.0)	1.8
BT40/GSL14/150	●	14	24	32	50	150	47.5	37.5	105	TR-4.0	M10x1.0(T-5.0)	1.8
BT40/GSL16/150	●	16	26	34	50	150	52.5	42.5	106	TR-4.0	M12x1.0(T-6.0)	1.9
BT40/GSL18/150	●	18	28	36	50	150	52.5	42.5	107	TR-4.0	M12x1.0(T-6.0)	1.9
BT40/GSL20/150	●	20	30	38	50	150	52.5	42.5	108	TR-4.0	M16x1.0(T-6.0)	2.0

**Availability:** ● Stock ▲ Short lead time ○ Made to order

- »h6 shank tools must be used.
- »Tool length can be adjusted up to 10mm.
- »T-wrench is must be ordered separately.  
(GRIP torque wrench is recommended.)
- »All products center through coolant system.
- »Additional sizes and special designs available on request.
- ⚠ The minimum tool depth must be observed.



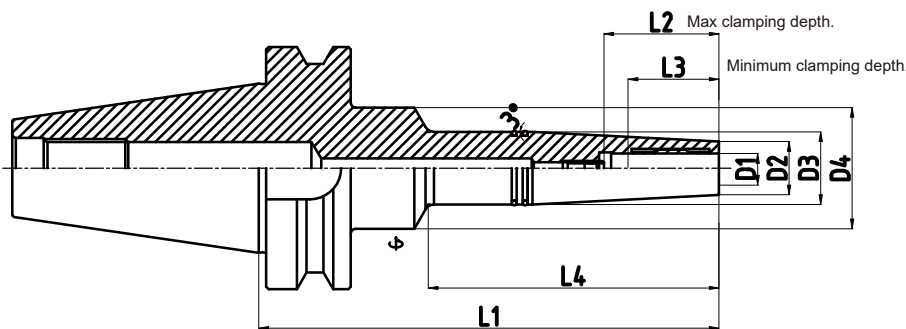
BT40

**Dimensions(mm)**

BT50		D1	D2	D3	D4	L1	L2	L3	L4	Clamping wrench	Adjustment bolt (wrench)	Kg.
BT50/GSL6/190	○	6	16	24	50	190	37.5	27.5	120	TR-4.0	M5x0.8(T-2.5)	4.3
BT50/GSL8/190	○	8	18	26	50	190	37.5	27.5	120	TR-4.0	M6x1.0(T-3.0)	4.3
BT50/GSL10/190	○	10	20	28	50	190	42.5	32.5	120	TR-4.0	M8x1.0(T-4.0)	4.4
BT50/GSL12/190	○	12	22	30	50	190	47.5	37.5	120	TR-4.0	M10x1.0(T-5.0)	4.4
BT50/GSL14/190	○	14	24	32	50	190	47.5	37.5	121	TR-4.0	M10x1.0(T-5.0)	4.5
BT50/GSL16/190	○	16	26	34	50	190	52.5	42.5	121	TR-4.0	M12x1.0(T-6.0)	4.5
BT50/GSL18/190	○	18	28	36	50	190	52.5	42.5	122	TR-4.0	M12x1.0(T-6.0)	4.6
BT50/GSL20/190	○	20	30	38	50	190	52.5	42.5	122	TR-4.0	M16x1.0(T-6.0)	4.7

**Availability:** ● Stock ▲ Short lead time ○ Made to order

- »h6 shank tools must be used.
  - »Tool length can be adjusted up to 10mm.
  - »T-wrench is must be ordered separately.  
(GRIP torque wrench is recommended.)
  - »All products center through coolant system.
  - »Additional sizes and special designs available on request.
- ⚠ The minimum tool depth must be observed.



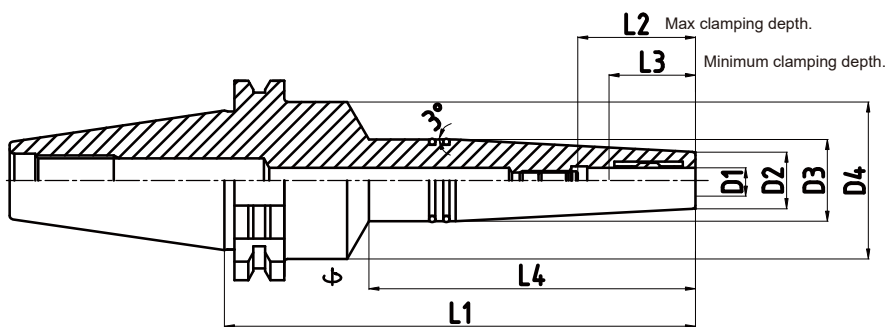
BT50

**Dimensions(mm)**

SK40		D1	D2	D3	D4	L1	L2	L3	L4	Clamping wrench	Adjustment bolt (wrench)	Kg.
SK40/GSL6/150	●	6	16	24	50	150	37.5	27.5	103	TR-4.0	M5x0.8(T-2.5)	1.6
SK40/GSL8/150	●	8	18	26	50	150	37.5	27.5	104	TR-4.0	M6x1.0(T-3.0)	1.7
SK40/GSL10/150	●	10	20	28	50	150	42.5	32.5	104	TR-4.0	M8x1.0(T-4.0)	1.7
SK40/GSL12/150	●	12	22	30	50	150	47.5	37.5	105	TR-4.0	M10x1.0(T-5.0)	1.8
SK40/GSL14/150	●	14	24	32	50	150	47.5	37.5	105	TR-4.0	M10x1.0(T-5.0)	1.8
SK40/GSL16/150	●	16	26	34	50	150	52.5	42.5	106	TR-4.0	M12x1.0(T-6.0)	1.9
SK40/GSL18/150	●	18	28	36	50	150	52.5	42.5	107	TR-4.0	M12x1.0(T-6.0)	1.9
SK40/GSL20/150	●	20	30	38	50	150	52.5	42.5	108	TR-4.0	M16x1.0(T-6.0)	2.0

**Availability:** ● Stock ▲ Short lead time ○ Made to order

- »h6 shank tools must be used.
- »Tool length can be adjusted up to 10mm.
- »T-wrench is must be ordered separately.  
(GRIP torque wrench is recommended.)
- »All products center through coolant system.
- »Additional sizes and special designs available on request.
- ⚠ The minimum tool depth must be observed.



SK40



SLIM